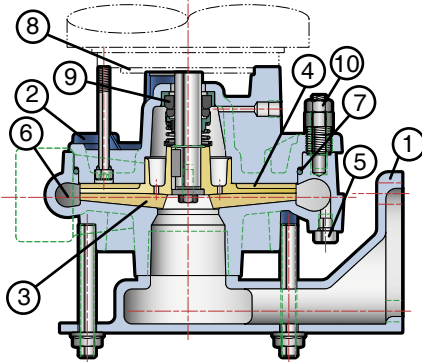


Flange Mounted Centrifugal Pumps

High Quality Stainless Steel...

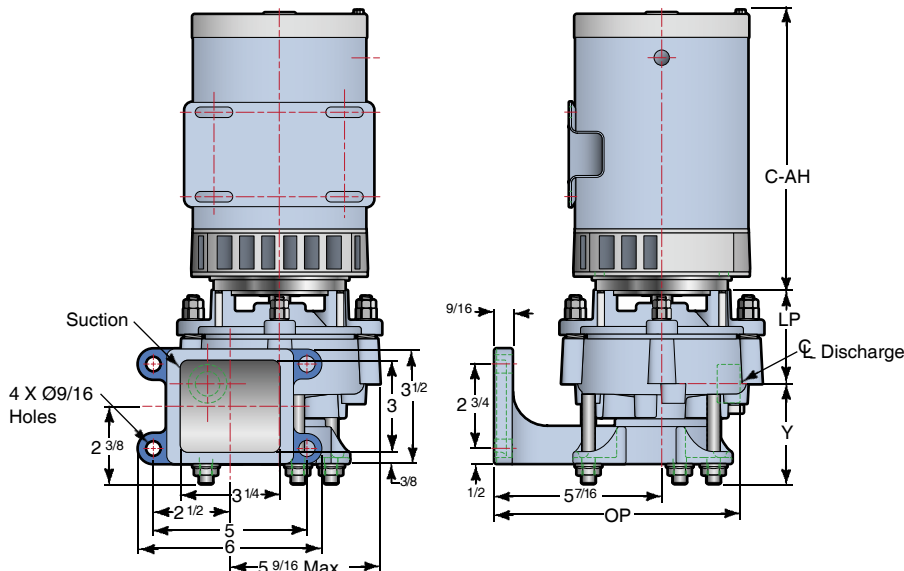
Exceptional Value, Extraordinary Quality...

MTH Stainless Steel Flange Mounted Centrifugal Pumps offer the best materials available to create the longest lasting pumps for your boiler feed needs. Our flange mounted pumps feature high grade stainless steel in a compact size. This unique design is highly adaptable to many current fits and can easily replace your existing condensate return pump with very little modification to your existing system. These pumps are made to fit standard vertical flange mount tanks.



1	Stainless Steel Cover
2	Stainless Steel Motor Bracket
3	Stainless Steel Impeller
4	Thrust Balancing Impeller Blades
5	1/8" SAE Drain Plug
6	High Efficiency Water Channel Design
7	High-Temp "O" Rings
8	D3 Motors with 56C Face
9	Long lasting Mechanical Seals
10	Impeller Clearance Adjusting Nuts

Model	Pump Size					C-AH				
	Disch.	Imp. Ø	OP	LP	Y	Single Phase		Three Phase		
						48 Frame 1/3-1HP	56 Frame 1 1/2-2HP	71 Frame 1/3HP - 1HP	80 Frame 1/2HP - 2HP	90 Frame 3HP
C41AB	1/2	4	8	3	1 11/16	8 5/8	---	8 13/16	---	---
C41BC	3/4	4	6 3/4	3 1/16	1 3/4	8 5/8	---	8 13/16	---	---
C41CD	1	4	8 3/16	3 1/16	2	8 5/8	---	8 13/16	---	---
C41DE	1 1/4	4	8 3/8	3 1/16	2 1/4	8 5/8	---	8 13/16	---	---
C41EF	1 1/2	4	8 3/8	3 1/8	2 9/16	8 5/8	11 5/16	8 13/16	9 7/16	---
C51AB	1/2	5	8 1/2	3 1/16	1 13/16	8 5/8	---	8 13/16	---	---
C51BC	3/4	5	8 1/2	3 1/8	1 13/16	8 5/8	11 5/16	8 13/16	9 7/16	---
C51CD	1	5	8 5/8	3 1/8	2	8 5/8	11 5/16	8 13/16	9 7/16	---
C51DE	1 1/4	5	9 3/16	3 1/16	2 5/16	---	11 5/16	---	9 7/16	---
C61AB	1/2	6	8 7/8	3 1/8	2	---	11 5/16	---	9 7/16	---
C61BC	3/4	6	9 3/8	3 1/8	1 13/16	---	11 5/16	---	9 7/16	11 5/16
C61CD	1	6	10 1/16	3 1/16	2 5/8	---	---	---	---	11 5/16



MTH PUMPS

401 West Main Street • Plano, IL 60545-1436
 Phone: 630-552-4115 • Fax: 630-552-3688
 Email: SALES@MTHPUMPS.COM
 http://WWW.MTHPUMPS.COM